

POOL SAND FILTER

PLASTIC SAND FILTER

“ORANGE”



POOL SAND FILTER

PLASTIC SAND FILTER

“ORANGE”



Made of high density poly ethylene material and integration of blow molding technology. HDPE filter tank is compatible for many different weather conditions. Unique structural design gets the best clarity of filtered water and a better backwash.

Advantages

- 1. More efficient: 30% more of filtration bed improves the filtration quality easily .**
- 2. Environmental, safe & corrosive-proof material: suitable to all types of swimming pools.**
- 3. Easy maintenance: no tools is required for maintenance or operation .**

Features

Suitable for pools with different disinfection systems such as salt chlorine generator, UV sterilizer, Ozone system and chemical dosing .

Can be used for pool, spa and water features.

Easy to maintain and replace.

Pools in need of better water clarity! Professional approach of getting better water!

Inlet/outlet can meet with metric/imperial pipe, more convenient to operate.

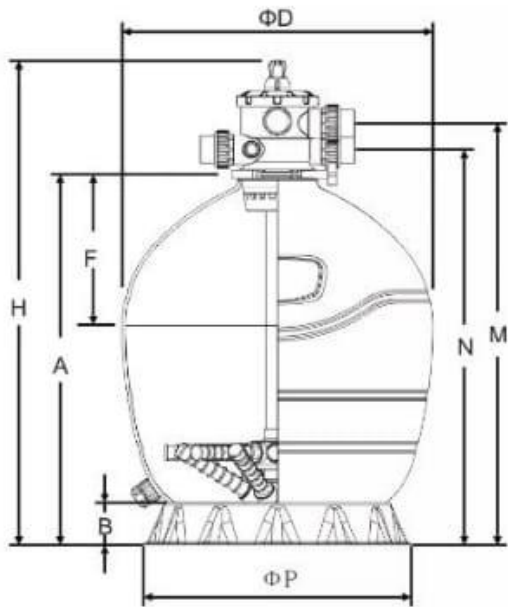
SS clamp allows 360 rotation of valve to simplify installation.

More volume of filtration bed gets better clarity of filtered water & less backwash .

High density poly ethylene filter tank material manufactured to maximize the strength of the filter.

Unique double-layered lateral enhances filtration efficiency and allows complete backwash.

Product Parameters



	SDG-17	SDG-20	SDG-24
ΦD(mm)	425	500	600
H(mm)	767	890	983
B(mm)	75	75	75
A(mm)	526	650	743
ΦP(mm)	390	390	390
N(mm)	579	702	795
M(mm)	635	758	850
F(mm)	195	236	285

Model	Pipe Size		Filter Area (m ²)	Design Flow		0.5-0.8mm Sand Weight (kg)	Tank Volume (m ³)	Valve Volume (m ³)	Tank Weight (kg)	Valve Weight (kg)
	inches	mm		m ³ /h	lpm					
SDG-17	1.5	50	0.14	7.0	117	50	0.11	0.02	9.8	3
SDG-20	1.5	50	0.19	9.5	158	90	0.16	0.02	12.3	3
SDG-24	1.5	50	0.27	13.5	225	140	0.26	0.02	15.2	3

MAXIMUM WORKING PRESSURE: 40psi/2.8kg/cm²

MAXIMUM TEMPERATURE ≤ 50 °C

PISCINE

Products Sponsored By

SAMAR AGUA S.L PISCINE

Madrid – Spain

WWW.PISCINE.ES